



微信公众账号



FACEBOOK

安徽长庚光学科技有限公司

www.laowalens.com

服务热线：400-066-1316

企业 QQ：400-066-1316

Email: sales@laowalens.com

电话Tel：(+86) 0551-69107990

地址：合肥市庐阳区天水路与太和路交叉口庐阳中科大校友创新园5号楼

Add：Building 5, USTC Alumni Innovation Park, Crossing of Tianshui
and Taihe Road, Luyang District, Hefei City, Anhui Province, China

LAOWA MFT 17mm F1.8 C-Dreamer

使用手册
Instruction Manual

LAOWA 老蛙

本公司保留更改产品设计与规格的权利，届时恕不另行通知；
本公司保留对此《使用说明》的最终解释权。
Please note we reserve the right to change our product's
design and specifications at any time without notice and
to the final interpretation of the *Instruction Manual*.



前言

真诚地感谢您选购老蛙 (LAOWA) MFT 17mm F1.8 C-Dreamer 无反镜头。此镜头是M4/3系统下的广角镜头，拥有等效34mm的视野，主打人文摄影，让你在便携的同时拥有更放心的画质和成像体验。



△ 为了操作上的安全，使用本产品前请务必仔细阅读使用手册与注意事项，并将手册放在需要时容易取得的地方。如遇到不能解决的问题请拨打售后电话获取技术支持。

主要特色

- 17mm F1.8 拥有 M4/3 系统的 65° 视角，可以拍摄等效 34mm 全画幅广角视野。
- 最大光圈 F1.8，拥有更大的通光量，让摄影师拥有更多的创作空间。
- 等效 34mm 的视角属于小广角，可以拍摄风光，人像，人文等多种题材。
- 此镜头的机械结构全部采用金属部件，确保了镜头的组装精度和耐用性。
- 17mm F1.8 镜头体积小巧，仅 172g 的重量，节省了背包空间，减轻了使用者的负担。
- 此款镜头可以在禅思 X5S 上使用，让无人机玩家拥有更多的镜头选择。
- 镜头每块镜片均采用低反射多层镀膜，尽可能的消除了鬼影和眩光，且前端镜片采用蛙眼仿生镀膜 FEC (Frog Eye Coating)，使水滴、脏物不易附着。

注意事项

△ 安全注意事项

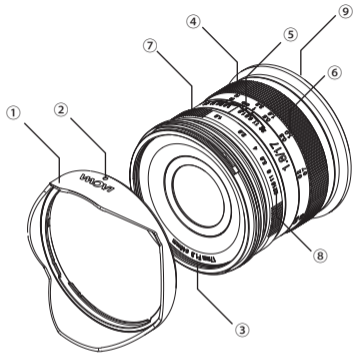
- 切勿自行拆解、修改或改装。当产品由于外力原因破损，切勿触碰外露部分或破损边缘处。
- 切勿放置于直射阳光下、封闭车辆中或其余高温处，否则过高的温度会使镜片和其他部件产生伸缩变形。
- 不使用镜头时，请将镜头前盖盖上或置于没有阳光照射处。凸透镜反射出的光线可能会聚集在附近物体上，导致发生火灾。
- 在逆光拍摄时，切勿将太阳置于画面中心，应该使太阳充分偏离画角，否则阳光会在相机内部聚集并导致火灾或灼伤眼睛。
- 在使用相机内置闪光灯拍摄时，由于镜头本身会遮挡光线而产生渐晕，因此建议您使用外设闪光灯拍摄。

注意事项

长期使用保养注意事项

- 避免触摸镜头表面，应用专用镜头布或气吹去除镜头表面的尘埃，不使用镜头时，应将镜头盖盖上。
- 使用镜头纸或镜头布清洁时，以螺旋的方式从中间向外擦拭镜头上的污垢以及指印。
- 镜头从寒冷的环境突然转移至温暖的环境时，镜头的外部以及内部镜片将会凝结水雾，所以在转移时应采取防潮保护措施。

各部件名称



- ①遮光罩 ③滤光镜安装螺纹 ⑤距离刻度 ⑦光圈环 ⑨镜头安装标记
②遮光罩安装标记 ④对焦环 ⑥景深指示刻度 ⑧光圈刻度

使用说明

■ 镜头安装

取下镜头后盖。将镜头卡口上的安装标记⑨对准相机座圈上的对应标记，随后将镜头插入机身座圈，根据所购买卡口的安装方向旋转镜头，直至咔嚓声锁紧镜头。安装时请不要用力过猛，以免导致卡口损伤。

■ 镜头装卸

- 关机后按住相机上的镜头释放按钮，依照所购买卡口的安装方向反向旋转镜头，随后将镜头从座圈中拔出。
- 装上镜头后，请尝试旋转镜头确认是否已将其固定在相机上。
- 由于此为非CPU镜头，无法提供数据信息，所以请在相机内开启“无镜头释放快门”功能。

使用说明

■ 遮光罩装卸

- 将遮光罩上的安装标记②对准镜头上的遮光罩安装点，然后顺时针旋转遮光罩，直至锁紧末端为止。
- 如要拆卸遮光罩，按相反方向旋出即可。（示意图）
- 安装遮光罩可减少强光并保护镜头前部元件。
- 安装某些滤光镜后，您可能无法再使用遮光罩。
- 若不使用遮光罩时，可将遮光罩反向安装于镜头上。
- 利用闪光灯拍摄时。遮光罩可能遮挡住光线而造成影像上的渐晕现象。所以在使用相机闪光灯或使用高度不够的外置闪光灯时，请拆卸遮光罩后再进行拍摄。

使用说明

■ 对焦

- 此款镜头是全手动对焦镜头，合焦时，用拇指拨动拇指拨杆④，直至合焦。
- 不要过猛过快地旋转对焦环，避免用力过度损坏对焦环部件。
镜头上的距离刻度⑤与景深刻度⑥是出于指导目的。实际焦点与景深可能同刻度标记稍有不同。
- 如需要非常精确的对焦，请在固定好相机位置的情况下使用最大光圈对焦，对焦完成后再旋至所需要的光圈值。
为了对焦的方便性，请开启相机内的峰值对焦功能(视所使用相机功能而定)。

使用说明

■ 光圈使用

- 光圈在镜头上调节，根据拍摄环境和与所需要的景深，转动光圈环⑦来选择对应的光圈。
- 由于此镜头无 CPU 数据，所以暂时无法记录光圈参数。
- 由于光圈为手动调节，无法较好的使用快门优先模式，但可以使用光圈优先模式（测光准确度视相机型号而定）。

规格表

LAOWA MFT 17mm F1.8 C-Dreamer	
画幅	M4/3
焦距	17mm
视角范围	65°
最大光圈	1.8
最小光圈	22
镜片结构	7组9片(ED镜片一枚)
光阑叶片	7
最近摄影距离(物像距离)	15cm
最大放大倍率	0.2倍
合焦驱动方式	手动(MF)
滤镜直径	46mm圆形滤镜
镜头尺寸(直径/长)	Φ55mm×51mm
重量	172g(无遮光罩)

新创意·新乐趣



PREFACE

Thank you for choosing laowa MFT 17mm F1.8 C-Dreamer mirrorless cameras. This lens is a wide-angle lens under M4/3 system, with an equivalent 34mm field of view. It focuses on humanistic photography, allowing portability and better image quality and imaging experience.



△ In order to ensure the safety of operation, please read the User's Manual and Precautions carefully before using this product, and put the Manual in a place that is easily accessible when needed. If you encounter any problem that cannot be solved, please call after-sales for technical support.

MAIN FEATURES

- The 17mm F1.8 has a 65° angle of view of the M4/3 system and can capture an equivalent 34mm full frame wide angle of view.
- With a maximum aperture of F1.8, it has a larger amount of light, giving photographers more creative space.
- The equivalent angle of 34mm belongs to the small wide angle, which can shoot a variety of subjects such as scenery, portraits and humanities.
- All the mechanical structures of this lens are made of metal parts, ensuring the assembly precision and durability of the lens.
- The 17mm F1.8 lens is compact and weighs only 172g, saving the space of the backpack and lightening the burden of users.
- This lens can be used on Zenmuse5s, allowing UAV players more lens choices.
- Each lens is coated with low reflection multilayer film, eliminating flare as much as possible, and the front lens is coated with Frog Eye Coating FEC, which makes water droplets, stains, etc. not easy to adhere.

PERCAUTIONS

Safety Precautions

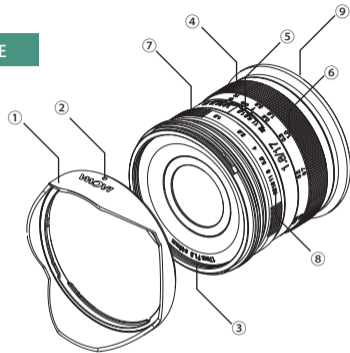
- Do not disassemble or modify the lens by yourself. If it is damaged by external force, do not touch any exposed part of the lens.
- Don't expose the lens to excessive heat such as direct sunshine or a parked car as this may deform the lens elements and other mechanism.
- Close the front cap of the lens or prevent the lens from exposing sunlight when it is not in use. The light reflected by the convex lens gathering on a nearby object can cause a fire.
- Do not place the sun in the center of the frame when shooting with backlight, sunlight focused on the camera when the sun is in or close to the frame could cause a fire or damage to your eyes.
- When shooting with the camera's built-in flash, the lens itself may block light and cause vignetting, an external flash is recommended in such case.

PERCAUTIONS

■ Maintenance Precautions

- Avoid touching the lens surface. Remove the dust on the lens surface with a lens cloth or a blower. Keep the lens cap attached.
- Using a circular motion with a lens tissue or cleaning cloth, gently remove oil, fingerprints, and grime from the lens surface, working from the center outward.
- If the lens is taken from a cold environment into a warm one, condensation may develop on the lens surface and internal parts. To prevent condensation in this case, please take measures to protect against moisture before moving the lens.

NOMENCLATURE



- ① : Lens hood ② : Lens hood mounting index ③ : Filter thread
④ : Focusing ring ⑤ : Distance scale ⑥ : Depth-of-field scale ⑦ : Aperture ring
⑧ : Aperture scale ⑨ : Lens mounting index

DIRECTION FOR USE

■ Mounting the Lens

- Remove the lens rear cap. Align the mounting index⑨ on your lens with the matching mounting index mark on the camera. Insert the lens into the camera and turn the lens in the attachment direction until it locks with a “click” . Do not apply too much force in case of damage to the mount.

■ Detaching the Lens

- Turn the camera off and press the lens release button on the camera, turn the lens in the direction opposite to that for attaching, and pull it out.
- Gently turn the lens back and forth to ensure that the lens is fully attached to the camera.
- *Turn on the "lens-free shutter release" function in the camera, as it is a non-CPU lens, data information cannot be provided.*

INSTRUCTIONS

■ Mounting and Detaching the Lens Hood

- Keep the lens hood mounting index② and the mounting dot on the camera aligned, and turn the lens hood clockwise until it clicks into place.
- For the need of detaching the lens hood, please turn the lens hood in the direction opposite to that for attaching.
- The lens hood helps reduce lens flare and protects the lens front element from damage.
- Lens hood may be unable to be attached if some certain filters have been used with the lens.
- If not using the lens hood, you can also place it backwards over the lens.
- When shooting with a flash, the lens hood may block light, which may cause vignetting. So when shooting with camera's built-in flash or with the external flash unit that is not high enough, please remove the lens hood first before shooting.

INSTRUCTIONS

■ Focusing

- This lens is a full manual focus lens. When focusing, slowly rotate the focus ring ④ until it is in focus.
- Do not over-rotate the focus ring too quickly to avoid excessive damage to the focus ring.
- The distance scale ⑤ and the depth of field ⑥ on the lens are for instructional purposes. The actual focus and depth of field may be slightly different from the tick mark.
- For very precise focus, when the camera position is fixed, use the maximum aperture to focus, and then rotate to the desired aperture value after the focus is complete.
- For the convenience of focusing, turn on the peak focus function in the camera (depending on the camera you use).

INSTRUCTIONS

■ Aperture Instructions

- Turn the aperture ring ⑦ on the lens to choose the corresponding aperture according to the shooting situation and desired depth-of-field.
- As a Non-CPU lens, the camera cannot record the actual aperture value.
- Since this is a manual lens, aperture-priority mode is recommended to be used (Metering accuracy will depend on the camera).

SPECIFICATIONS

LAOWA MFT 17mm F1.8 C-Dreamer	
Format	M4/3
Focal Length	17mm
Angle of View	65°
Max. Aperture	1.8
Min. Aperture	22
Lens Structure	<small>9elements in 7groups (1 pcs of Extra-low Dispersion Elements)</small>
Aperture Blades	7
Min. Shooting Distance	15cm
Max. Magnification	0.2倍
Focusing	Manual Focus (MF)
Filter Diameter	φ46mm
Size(length/diameter)	Φ55mm×51mm
Weight	172g (without lens hood)

New Idea . New Fun .

老蛙镜头

为乐趣而生